

# MVSE-300 series

## SOLENOID VALVE



### Specification:

Model	MVSE-300-4E1	MVSE-300-4E2
Bore No.	10A	
Port size	PT 3/8	
No. of port	5	
No. of position	2	
Medium	Air	
Operating pressure range	2~12 kgf/cm <sup>2</sup>	
Proof pressure	15 kgf/cm <sup>2</sup>	
Effective orifice	34 mm <sup>2</sup>	
Response time	50 ms	
Ambient temperature	-5~+50°C (No freezing)	
Voltage	AC110V, AC220V (50/60)Hz, DC24V	
Power consumption	AC=6/4.9VA, DC=2.5W	
Available voltage range	±10%	
Insulation class	F class	
Weight	406g	508g

### Order example of valve:

**MVSE – 300 – 4E2 – AC110 – L – BSP**

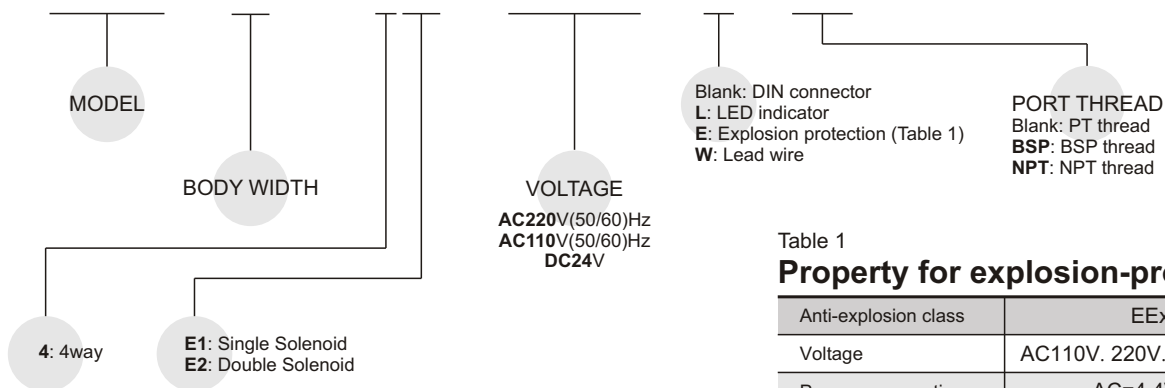


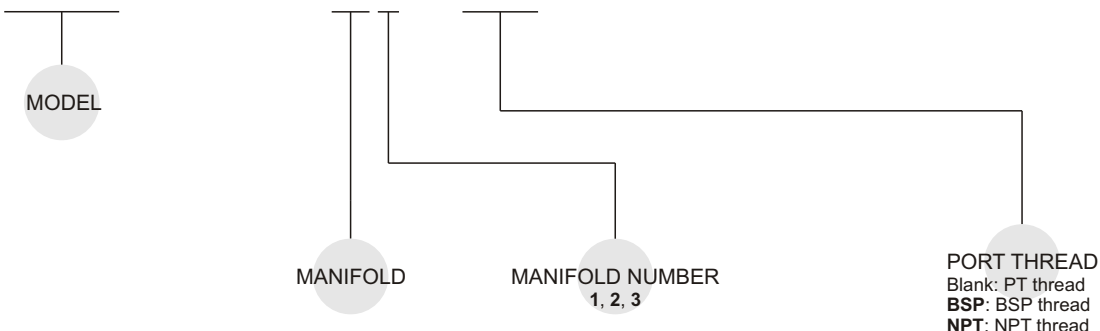
Table 1

### Property for explosion-proof type

Anti-explosion class	EEx m II T4
Voltage	AC110V, 220V, (50/60)Hz, DC24V.
Power consumption	AC=4.4VA, DC=5W
Available Voltage range	±10%
Insulation class	F class

### Order example of manifold:

**MVSE – 300 – 5B3 – BSP**



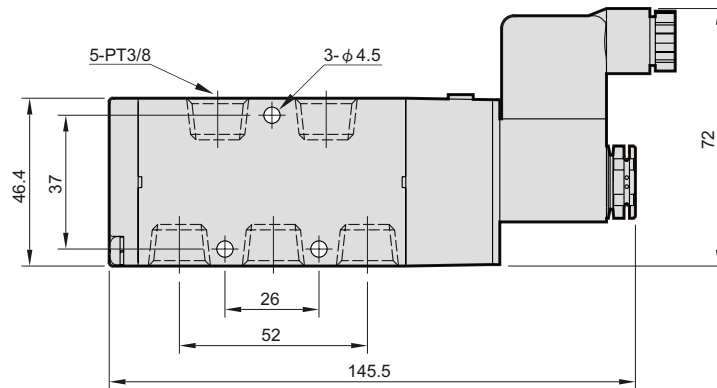
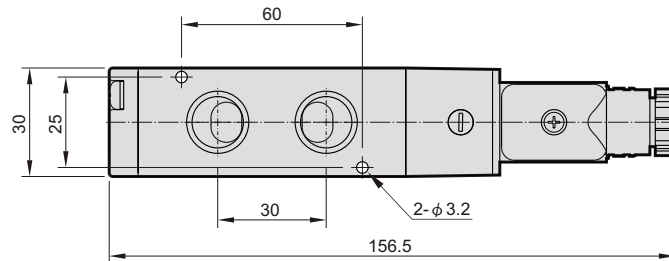
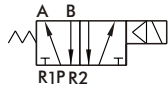
# MVSE-300

SOLENOID VALVE

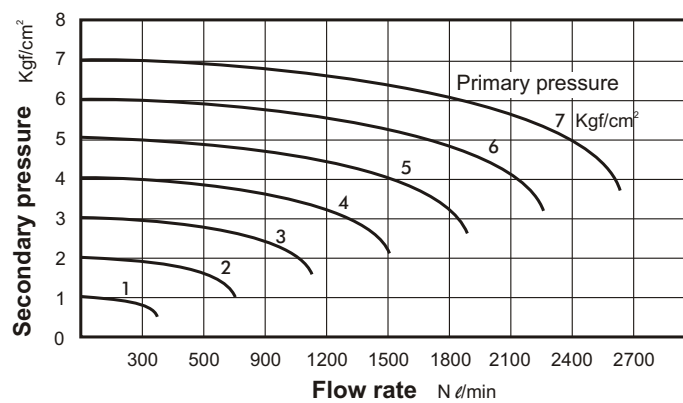


## Dimensions:

### MVSE-300-4E1



## Flow features:

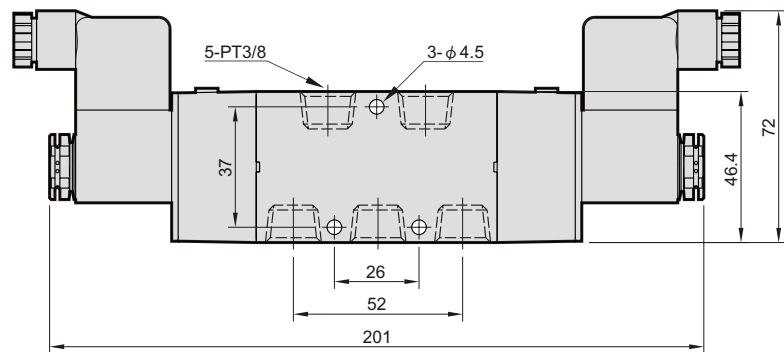
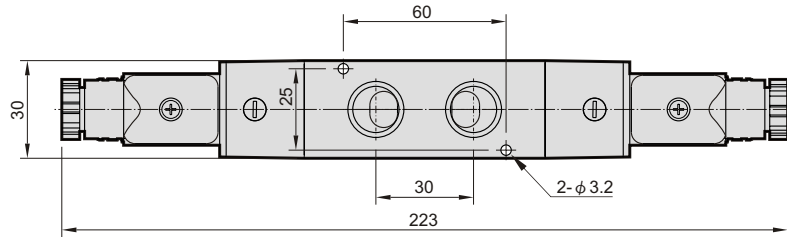
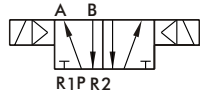


# MVSE-300

SOLENOID VALVE



## MVSE-300-4E2

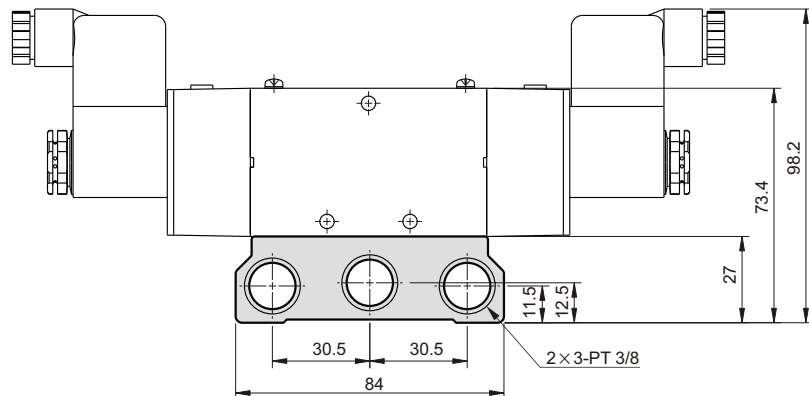
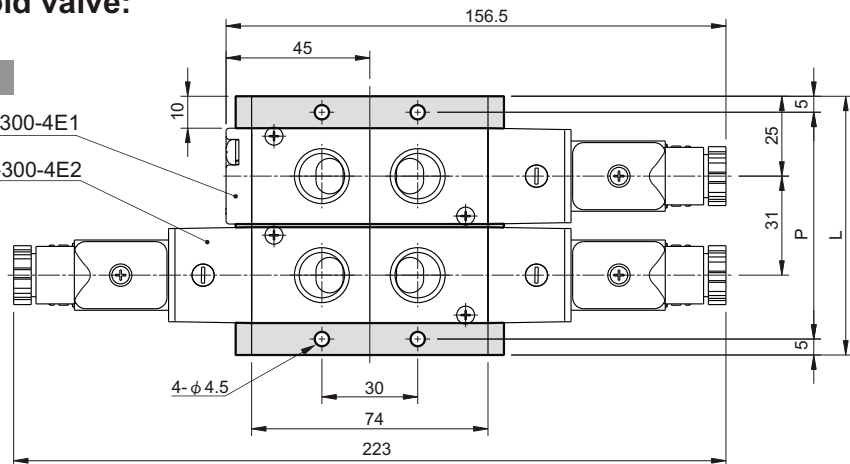


Manifold of solenoid valve:

## MVSE-300-5B\*

MVSE-300-4E1

MVSE-300-4E2



No. of stations	P	L
2	71	81
3	102	112
4	133	143
5	164	174
6	195	205
7	226	236
8	257	267
9	288	298
10	319	329